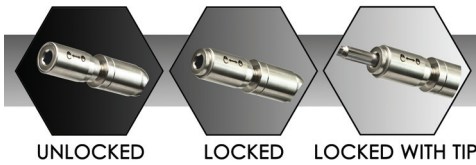


HOLDING TIPS AND ACCESSORIES



Our Holders and Positioners with a Quick-Connect distal end allows any Mediflex Tip equipped with a Hex Fitting to attach to any arm.

TABLE ATTACHMENT

REF. NO. 69099
Heavy Duty OR Rail Clamp



ADJUSTABLE HOLDING TIPS



REF. NO. 69706
Stainless Steel Tip
Holding Capacity: 3.5mm - 15mm



REF. NO. 69707
Delrin Tip
Holding Capacity: 1.5mm - 15mm



REF. NO. 69706-L
XL Stainless Steel Tip
Holding Capacity: 5mm - 31.75mm

QUICK-GRIP AUTOMATIC HOLDING TIPS

Safely and quickly secures 5mm & 10mm endoscopes. Atraumatic jaws will not damage scopes.

REF. NO. 72162
Quick-Grip Tip (10mm)



REF. NO. 72163
Quick-Grip Tip (5mm)



BOOKLER RATCHET BLADE HOLDING



REF. NO. 69708
Bookler Ratchet Bar
To hold a single Bookler Retractor Blade



REF. NO. 69708-MB
Mini-Bookler Ratchet Bar
To hold a single Mini-Bookler Retractor Blade

STERILIZATION TRAYS



REF. NO. 69760
Multi-Use Lidded Tray,
Perforated, Aluminum
Dimensions: 22.7" x 10.6" x 4.7"
(57.6cm x 26.9cm x 11.9cm)



REF. NO. 69761
Multi-Use Lidded Tray,
Perforated, Aluminum
Dimensions: 26.7" x 11" x 6"
(67.8cm x 27.9cm x 15.2cm)



REF. NO. 69762
Multi-Use Lidded Tray,
Perforated, Aluminum
Dimensions: 31" x 11" x 6"
(78.7cm x 27.9cm x 15.2cm)

Mediflex[®]
SURGICAL PRODUCTS

Mediflex Surgical Products,
a Division of Flexbar Machine Corp.
250 Gibbs Road
Islandia, NY 11749 USA

Phone: +1.631.582.6424
Toll-Free (USA): +1.800.764.0474
Fax: +1.631.582.4520
Email: sales@mediflex.com

mediflex.com

Made in U.S.A.



StrongArm[™]
HOLDING & POSITIONING DEVICES

Mediflex[®]
SURGICAL PRODUCTS

MAXIMUM RIGIDITY • EFFICIENT • VERSATILE

StrongArm™ Holding & Positioning Devices

Providing hands-free instrument, retractor, scope or accessory holding during all laparoscopic and open procedures for maximum surgical and operating room efficiency.

For over 50 years, Mediflex has been the market leader in surgical holding and positioning arms having built a trusted brand based on experience, quality, and durability. The StrongArm line features:

VERSATILITY

Provides versatile placement and rigid holding capacity of virtually any instrument, retractor, scope or accessory. An assortment of Holding Tips and Attachments offer extensive options for expanded applications.

EFFICIENCY

Having a completely static image provides better visualization to reduce procedure time. Retraction is constant, resulting in superior exposure with less trauma to organs and other tissue. Staff and residents can focus on other tasks or learning.

SIMPLICITY

Simple and rapid set-up as the Heavy Duty Rail Clamp attaches to the OR table rail over sterile drapes and offers height adjustability of the arm. Multi-directional arms lock tight with a single, ergonomic knob.

VARIETY OF CONFIGURATIONS

Available in a variety of configurations to accommodate any surgical requirement including: Single Arm for instrument or scope holding, Twin Arm for maximum efficiency holding both an instrument and scope, Top-Mount for greater height and reach for bariatrics or Front-Mount with short arm for pediatrics or small incision procedures.

StrongArm™ Plus Holding & Positioning Device

Provides maximum rigidity for increased holding strength with a fluted design knob to allow for greater leverage in tightening the device. When used with a Bookler System, StrongArm Plus provides unprecedented flexibility of movement while eliminating the field post.



73000-TM StrongArm with 69707 Delrin Tip holding a Mediflex Lapro-Flex® Retractor (not included)



73055 StrongArm Plus with 69706-L XL Stainless Steel Tip (not included)

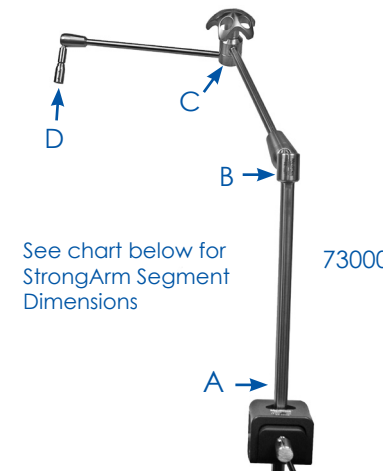
STRONGARM™ SYSTEMS

SINGLE ARM SERIES

73000	Front-Mount, Quick-Connect Tip, Rail Clamp
73001	Front-Mount, Quick-Connect Tip, (no Rail Clamp)
73000-LP	Front-Mount, Quick-Connect Tip, ext. Post range 3.5"-19"
73001-LP	Front-Mount, Quick-Connect Tip, (no Rail Clamp) ext. Post 3.5"-19"
73000-SA	Front-Mount, Short Distal Arm, Quick-Connect Tip, Rail Clamp
73001-SA	Front-Mount, Short Distal Arm, Quick-Connect Tip, (no Rail Clamp)
73000-TM	Top-Mount, Quick-Connect Tip, Rail Clamp, ext. Post 3.5"-19"
73001-TM	Top-Mount, Quick-Connect Tip (no Rail Clamp) ext. Post 3.5"-19"
73002	Curved Post, Top-Mount, Short Distal Arm, QC Tip, Rail Clamp
73002-NC	Curved Post, Top-Mount, Short Distal Arm, QC Tip, (no Rail Clamp)

STRONGARM PLUS

73055	StrongArm Plus, Top-Mount, Quick-Connect Tip, Rail Clamp
-------	--



See chart below for StrongArm Segment Dimensions



TWIN ARM SERIES

73010	Two StrongArms, Quick-Connect Tips, Rail Clamp (see cover*)
73012	Two StrongArms, Quick-Connect Tips, (no Rail Clamp*)
99040	StrongArm FlexArm Combo, Quick-Connect Tips, Rail Clamp

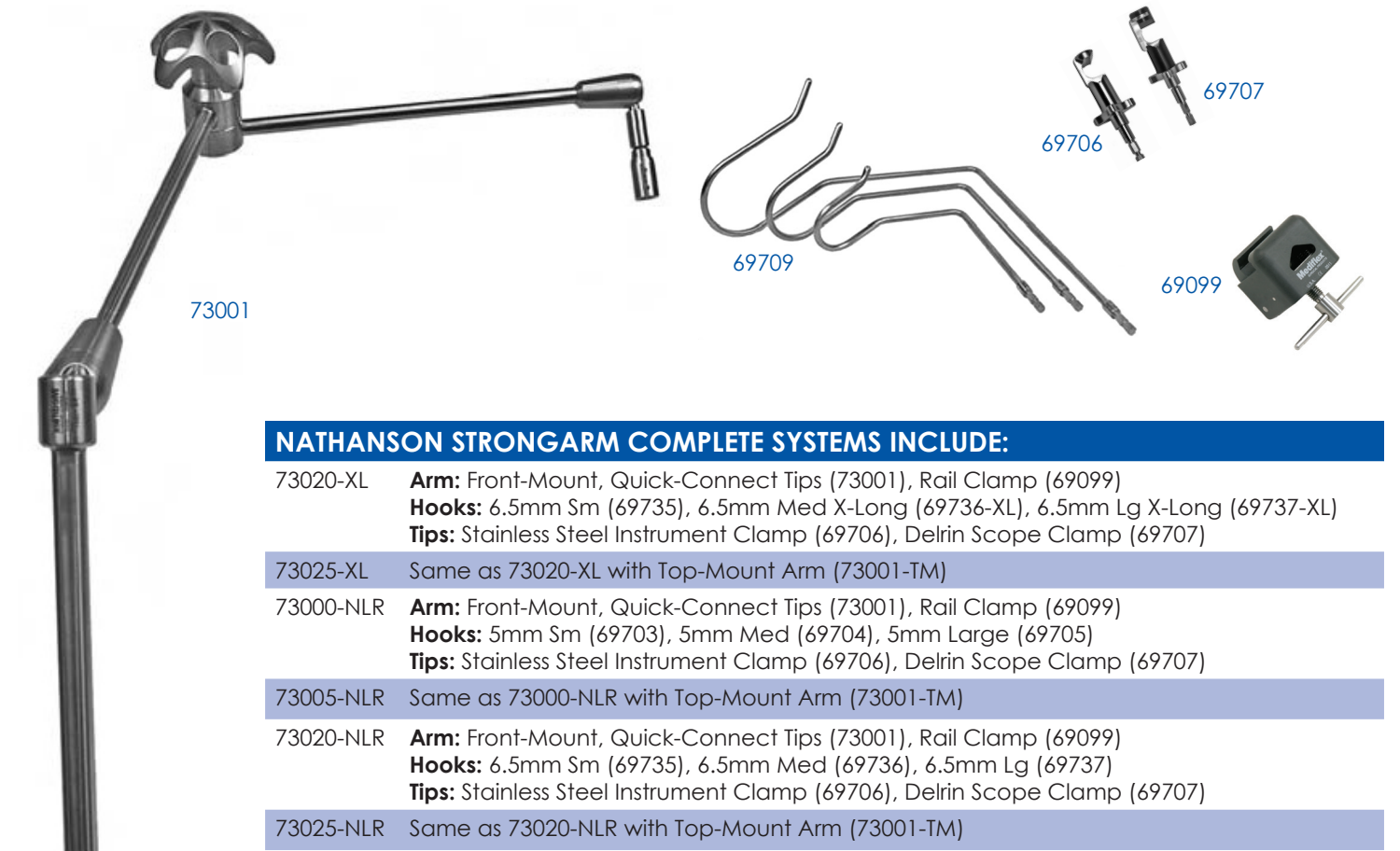
* Holding tips, scope & Nathanson Hook not included

STRONGARM SEGMENT DIMENSIONS

	REF. NO. 73000/73000-LP	REF. NO. 73000-TM	REF. NO. 73000-SA	REF. NO. 73002	REF. NO. 73055	REF. NO. 73010/73012	REF. NO. 99040
A - B Post Height Adjustable Range	73000: 16" (40.6cm) 3.5-11.5" (9-29cm) 73000-LP: 23" (58.4cm) 3.5-19" (9-48cm)	22.5" (57cm) 3.5-19" (9-48cm)	16" (40.6cm) 3.5-11.5" (9-29cm)	16" (40.6cm) 3.5-11.5" (9-29cm) Curved Post (horizontal portion) 6.5" (16.5cm)	23.5" (59.7cm)	15" (38.1cm) 3.5-11.5" (9-29cm)	15" (38.1cm) 3.5-11.5" (9-29cm)
B - C Mid-Segment	11.5" (29cm)	11.5" (29cm)	11.5" (29cm)	10.5" (26.6cm)	10" (25.4cm)	11.5" (29cm)	StrongArm: 11.5" (29cm) FlexArm: 13" (33cm)
C - D* End Segment	12.5" (31.8cm)	12.5" (31.8cm)	8" (20.3cm)	8" (20.3cm)	13.5" (34.3cm) (12.5" (31.8cm) QC version)	12.5" (31.8cm)	StrongArm: 12.5" (31.8cm) FlexArm: 17.5" (44.5cm)

NATHANSON SYSTEMS AND RETRACTORS

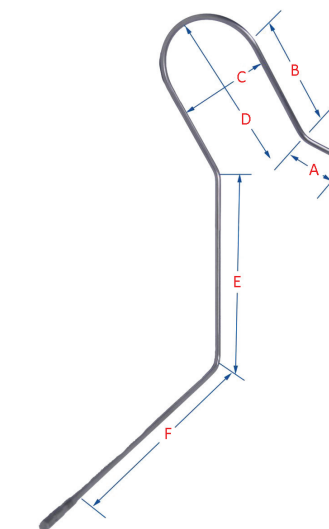
Nathanson Hooks have proven to be ideal for laparoscopic liver retraction as they support the entire liver to provide atraumatic exposure. The Hooks feature a hexagonal proximal end which fits securely into the Quick-Connect Hex Fitting of all StrongArms. This direct attachment prevents axial slippage common with other holding systems. Mediflex offers the largest selection of Nathanson Hooks available from any manufacturer. A variety of individual Hook configurations and Hook sets are available to accommodate all patients and procedures including bariatrics and pediatrics.



NATHANSON STRONGARM COMPLETE SYSTEMS INCLUDE:

73020-XL	Arm: Front-Mount, Quick-Connect Tips (73001), Rail Clamp (69099) Hooks: 6.5mm Sm (69735), 6.5mm Med X-Long (69736-XL), 6.5mm Lg X-Long (69737-XL) Tips: Stainless Steel Instrument Clamp (69706), Delrin Scope Clamp (69707)
73025-XL	Same as 73020-XL with Top-Mount Arm (73001-TM)
73000-NLR	Arm: Front-Mount, Quick-Connect Tips (73001), Rail Clamp (69099) Hooks: 5mm Sm (69703), 5mm Med (69704), 5mm Large (69705) Tips: Stainless Steel Instrument Clamp (69706), Delrin Scope Clamp (69707)
73005-NLR	Same as 73000-NLR with Top-Mount Arm (73001-TM)
73020-NLR	Arm: Front-Mount, Quick-Connect Tips (73001), Rail Clamp (69099) Hooks: 6.5mm Sm (69735), 6.5mm Med (69736), 6.5mm Lg (69737) Tips: Stainless Steel Instrument Clamp (69706), Delrin Scope Clamp (69707)
73025-NLR	Same as 73020-NLR with Top-Mount Arm (73001-TM)

NATHANSON HOOKS



REF. NO.	SIZE	DIAMETER (mm)	DIMENSIONS						5mm HOOK SET Ref No. 69709	6.5mm HOOK SET Ref No. 69710	6.5mm HOOK SET Ref No. 69710-XL
			A	B	C	D	E	F			
69738	Ex Small	5.0	1.3cm	2.3cm	2.3cm	3.6cm	5.1cm	13.9cm			
69735-3	Ex Small	3.0	.89cm	1.6cm	1.6cm	2.4cm	3.5cm	9.5cm			
69703	Small	5.0	1.3cm	3.8cm	4.1cm	5.8cm	8.9cm	13.9cm	●		
69735	Small	6.5	1.3cm	3.8cm	4.1cm	5.8cm	8.9cm	13.9cm		●	
69704	Medium	5.0	2.5cm	5.1cm	5.6cm	7.8cm	12.7cm	19.1cm	●		
69736-C*	Medium	6.3	3.0cm	5.9cm	n/a	n/a	11.3cm	17.8cm			
69736	Medium	6.5	2.5cm	5.1cm	5.6cm	7.8cm	12.7cm	17.8cm		●	
69736-XL	Medium	6.5	4.4cm	5.1cm	5.6cm	7.8cm	12.7cm	19.7cm		●	
69705	Large	5.0	3.8cm	7.6cm	7.6cm	11.4cm	17.8cm	27.3cm	●		
69737	Large	6.5	3.8cm	7.6cm	7.6cm	11.4cm	17.8cm	27.3cm		●	
69737-XL	Large	6.5	5.7cm	7.6cm	7.6cm	11.4cm	17.8cm	27.3cm		●	

* Similar shape as Cook® Medical Hook. Cook is a trademark of Cook Medical Inc.